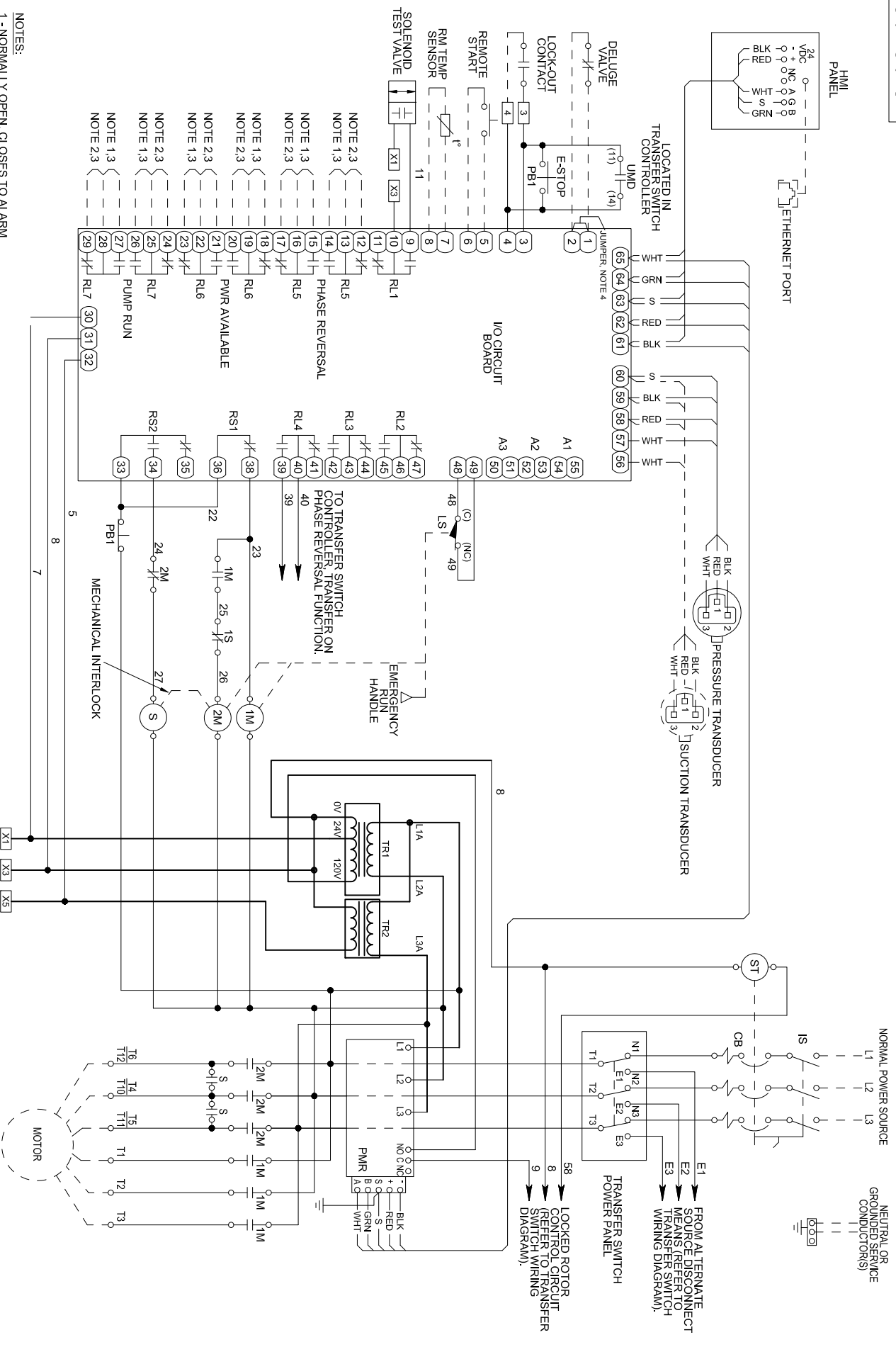


REVISIONS
NEW RELEASE
PER ECN L00141
REV A: 05-24-10
REVERSE N.O. & N.C. CONTACTS OF RL1, RL2 & TR3 ADDED.
ADD TEST SOLENOID TO RL1, INCREASE DESIGN LEVEL TO G.
ECN E07705, L&T



- NOTES:
- 1 - NORMALLY OPEN, CLOSURES TO ALARM
  - 2 - NORMALLY CLOSED, OPENS TO ALARM
  - 3 - CONTACT RATING: 5 AMP MAX., 240 VAC, 30 VDC
  - 4 - REMOVE JUMPER WHEN DELUGE VALVE IN USE

**DRAWING LEGEND**

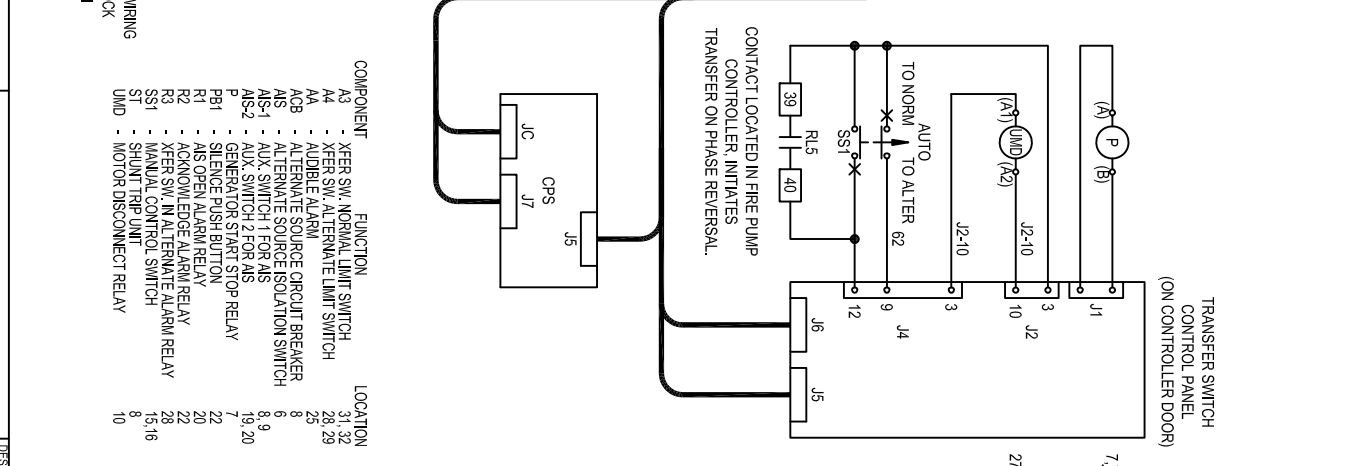
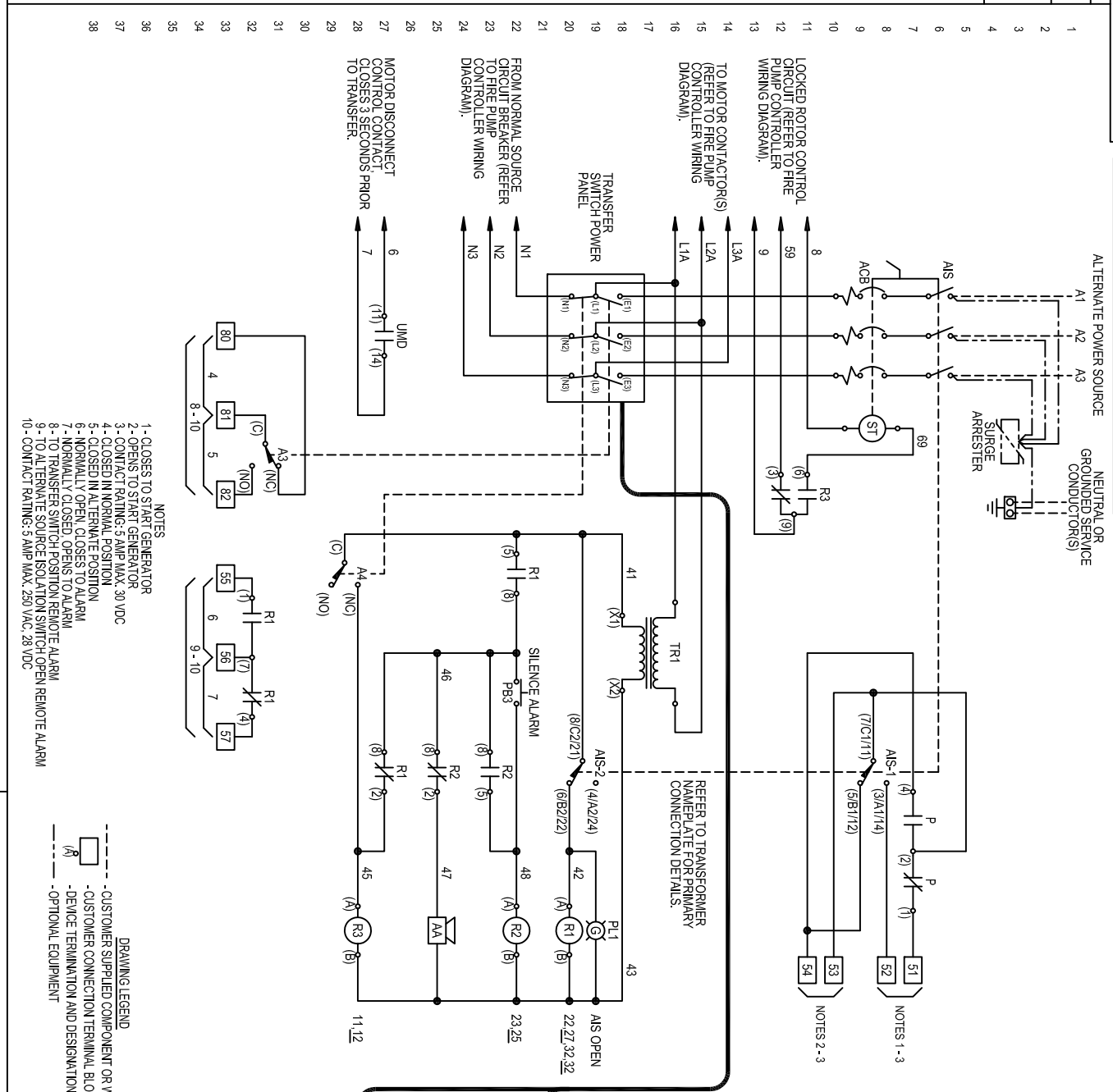
- - - CUSTOMER SUPPLIED COMPONENT OR WIRING
- CUSTOMER CONNECTION TERMINAL BLOCK
- I/O CIRCUIT BOARD CONNECTION
- DEVICE TERMINATION AND DESIGNATION
- OPTIONAL EQUIPMENT

# 12-00901-01 A

## SUITABLE FOR USE AS SERVICE EQUIPMENT

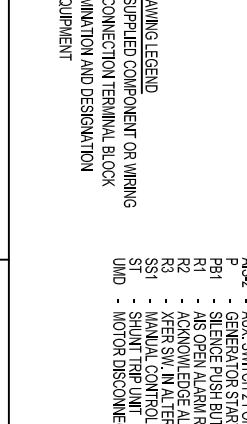
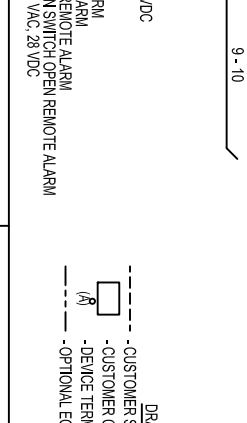
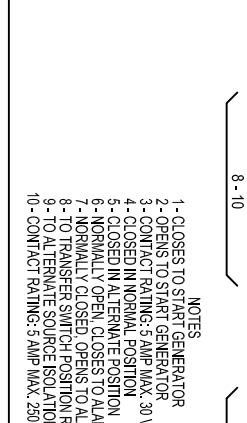
REVISIONS	
NEW RELEASE	PER ECN 14382.
REV. A: 1-17-2011	ADD TERM #S TO AIS-1 AND AIS-2
ECN ED0787, DJD	

1	ALTERNATE POWER SOURCE
2	NEUTRAL OR GROUNDING SERVICE CONDUCTOR(S)
3	SURGE ARRESTER
4	LOCKED ROTOR CONTROL CIRCUIT (REFER TO FIRE PUMP CONTROLLER WIRING DIAGRAM).
5	TO MOTOR CONTACTOR(S) (REFER TO FIRE PUMP CONTROLLER WIRING DIAGRAM).
6	TRANSFER SWITCH POWER PANEL
7	FROM NORMAL SOURCE CIRCUIT BREAKER (REFER TO FIRE PUMP CONTROLLER WIRING DIAGRAM).
8	MOTOR DISCONNECT CONTROL CONTACT CLOSING 3 SECONDS PRIOR TO TRANSFER.



COMPONENT	FUNCTION	LOCATION
A3	- XFEER SW. NORMAL LIMIT SWITCH	31, 32
A4	- XFEER SW. ALTERNATE LIMIT SWITCH	28, 29
AA	- AUDIBLE ALARM	25
ACB	- ALTERNATE SOURCE CIRCUIT BREAKER	8
AIS	- ALTERNATE SOURCE ISOLATION SWITCH	6, 9
AIS-1	- AUX. SWITCH 1 FOR AIS	8, 9
AIS-2	- AUX. SWITCH 2 FOR AIS	19, 20
P	- GENERATOR START STOP RELAY	7
PB1	- SILENCE PUSH BUTTON	22
R1	- AIS OPEN ALARM RELAY	20
R2	- ACKNOWLEDGE ALARM RELAY	22
R3	- XFEER SW. IN ALTERNATE ALARM RELAY	28
SS1	- MANUAL CONTROL SWITCH	15, 16
ST	- SHUNT TRIP UNIT	8
UMD	- MOTOR DISCONNECT RELAY	10

- NOTES**
- 1- CLOSURES TO START GENERATOR
  - 2- OPENS TO START GENERATOR
  - 3- CONTACT RATING: 5 AMP MAX, 30 VDC
  - 4- CLOSED IN NORMAL POSITION
  - 5- CLOSED IN ALTERNATE POSITION
  - 6- NORMALLY OPEN, CLOSURES TO ALARM
  - 7- NORMALLY CLOSED, OPENS TO ALARM
  - 8- TO TRANSFER SWITCH POSITION REMOTE ALARM
  - 9- TO ALTERNATE SOURCE ISOLATION SWITCH OPEN REMOTE ALARM
  - 10- CONTACT RATING: 5 AMP MAX, 280 VAC, 28 VDC



COMPONENT	FUNCTION	LOCATION
A3	- XFEER SW. NORMAL LIMIT SWITCH	31, 32
A4	- XFEER SW. ALTERNATE LIMIT SWITCH	28, 29
AA	- AUDIBLE ALARM	25
ACB	- ALTERNATE SOURCE CIRCUIT BREAKER	8
AIS	- ALTERNATE SOURCE ISOLATION SWITCH	6, 9
AIS-1	- AUX. SWITCH 1 FOR AIS	8, 9
AIS-2	- AUX. SWITCH 2 FOR AIS	19, 20
P	- GENERATOR START STOP RELAY	7
PB1	- SILENCE PUSH BUTTON	22
R1	- AIS OPEN ALARM RELAY	20
R2	- ACKNOWLEDGE ALARM RELAY	22
R3	- XFEER SW. IN ALTERNATE ALARM RELAY	28
SS1	- MANUAL CONTROL SWITCH	15, 16
ST	- SHUNT TRIP UNIT	8
UMD	- MOTOR DISCONNECT RELAY	10

TITLE: BUL, 10600 FIRE PUMP CONTROLLER AUTOMATIC TRANSFER SWITCH  
FOR DUAL UTILITY CONTROL

MADE BY: SDC  
DATE: 01/17/11

APPD: DJD

SCALE: 1

JOSLYN CLARK  
LANCASTER, SC USA 29720-8842

FILE: 1060021 REV A

A 10-10600-21

SHEET 1 OF 1

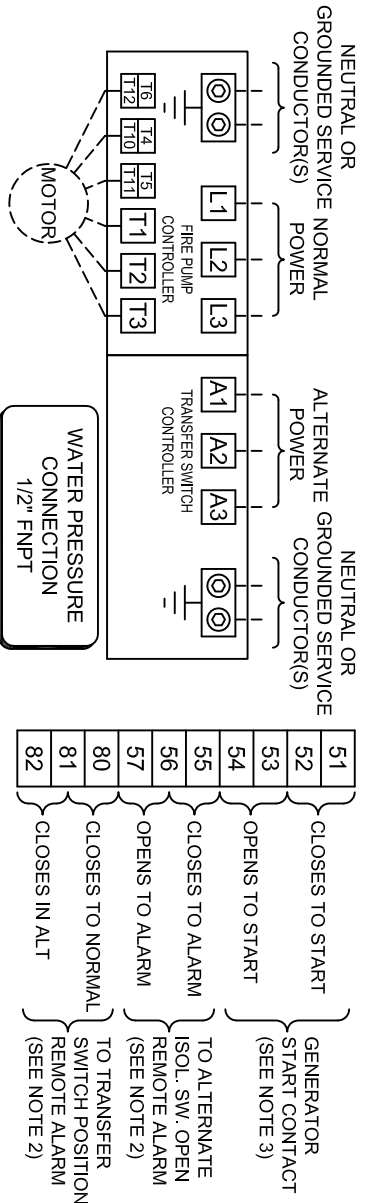
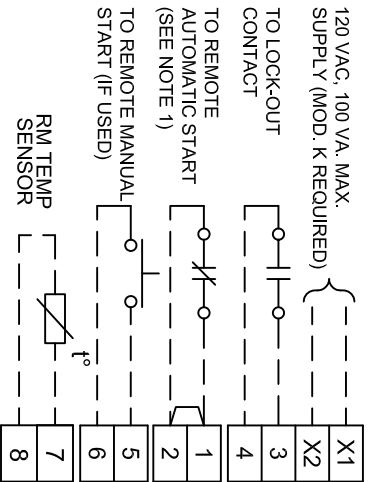
DESIGN: G

# 22-06901-01 A

## SUITABLE FOR USE AS SERVICE EQUIPMENT

REVISIONS

NEW RELEASE	PER ECN L00141
REV A: G SERIES	PRODUCT LAUNCH
PER ECN E00787	



### LINE TERMINAL LUG SIZE (PER PHASE)

HORSEPOWER	WIRE CAPACITY (COPPER WIRE)		
	200 V.	230 V.	380 V.
5 - 25	5 - 30	5 - 50	5 - 60
30	---	60	75
40 - 60	40 - 75	75 - 125	100 - 150
75 - 150	100 - 200	150 - 350	200 - 400
200	250	400	400-450
---	---	5	5
5 - 60	5 - 75	7.5 - 100	7.5 - 100
75 - 100	100 - 125	125 - 200	125 - 200
---	---	---	---
---	---	---	---

### MOTOR TERMINAL LUG SIZE (PER PHASE)

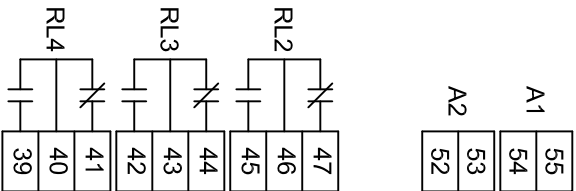
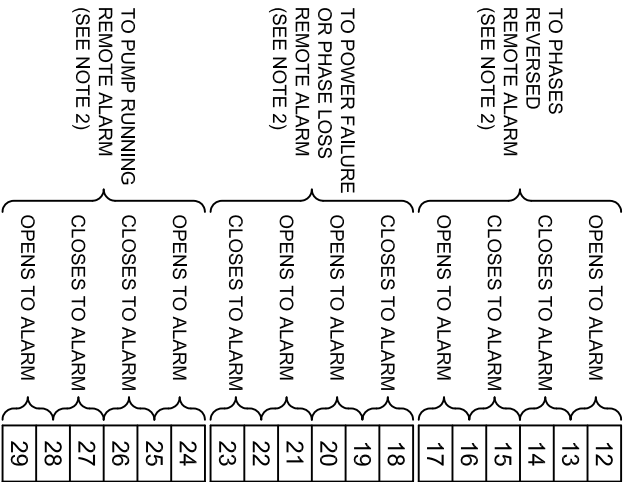
G SERIES	E SERIES		
	5 - 20	30 - 50	60 - 100
5 - 15	5 - 20	5 - 30	5 - 40
20 - 30	35 - 30	40 - 60	50 - 60
40 - 50	40 - 60	75 - 100	75 - 125
60 - 100	75 - 125	125 - 200	150 - 250
125 - 200	150 - 250	250 - 400	300 - 500
5 - 20	5 - 25	5 - 40	5 - 40
30 - 50	30 - 50	50 - 75	50 - 100
60 - 100	60 - 100	100 - 150	125 - 200
---	---	---	---

### NEUTRAL OR GROUNDING CONDUCTORS

5 - 25	5 - 30	5 - 50	5 - 60	5 - 60	5 - 75
30 - 60	40 - 75	60 - 125	75 - 150	75 - 150	100 - 200
75 - 100	100 - 125	150 - 200	200 - 250	200 - 250	250 - 350
125 - 200	150 - 250	250 - 400	300 - 450	300 - 500	400 - 500

#### CONDUCTOR NOTES

- FOR PROPER WIRE SIZING, REFER TO THE NATIONAL ELECTRICAL CODE, NFPA 70 OR OTHER LOCAL CODES.
- CONTROLLER IS PHASE ROTATION SENSITIVE. OBSERVE PHASE ROTATION, L1-L2-L3 MUST BE IN ABC SEQUENCE.
- 125% OF THE MOTOR FULL LOAD CURRENT.
- (6) MOTOR LEADS ARE REQUIRED, EACH LEAD CARRIES 0.578 x MOTOR FLA.



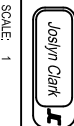
#### NOTES:

1. REMOVE JUMPER IF A REMOTE AUTOMATIC START DEVICE IS USED. THE CONTACT ON THE DEVICE OPEN TO START THE PUMP.
2. ALARM CONTACT RATING: 5 AMP MAX, 240 VAC, 30 VDC.
3. GENERATOR START CONTACT RATING: 5 AMP MAX, 30 VDC.

TITLE: BUL. 10690 FIRE PUMP CONTROLLERS, WYE-DELTA OPEN TRANSITION  
 STARTING WITH TRANSFER SWITCH (DUAL UTILITY CONTROL)

MADE BY: SDC DATE: 06/03/08

APP'D: DJD



JOSLYN CLARK CONTROLS, LLC  
 ELIZABETHTOWN, NC USA 28337

SCALE: 1

FILE: 10690-22G  
**A 10-10690-22**

SHEET 1 OF 1

DESIGN: **G**  
 REV: **A**